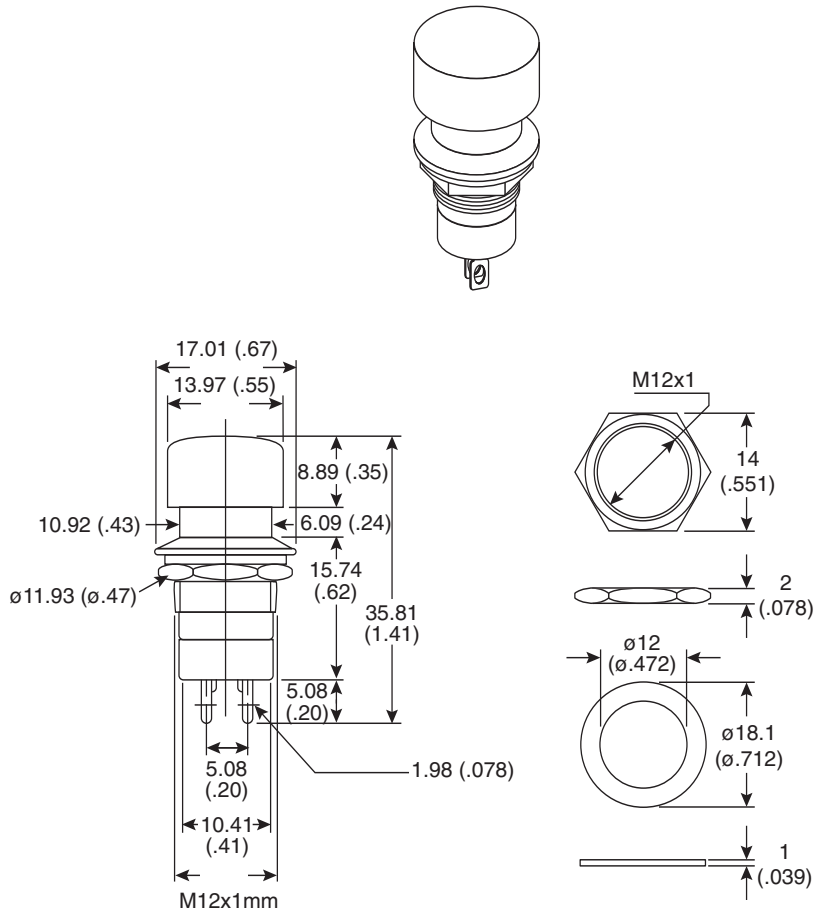


Dimensions: mm (In.)



Electrical Specifications:

- Rating: 3A / 250VAC
- Contact resistance: 10mΩ (max)
- Insulation resistance: 500VDC 100MΩ (min)
- Dielectric strength: 1500VAC for 1 minute

| Mouser Stock No. | Circuit | Color |
|------------------|----------|-------|
| 10PM021 | Off-(On) | Red |
| 10PM022 | Off-(On) | Black |
| 10PM031 | On-Off | Red |

Mechanical Specifications:

- Mounting hole: .48 inches
- Type: SPST

Pushbutton Switches
10PM021, 10PM022, 10PM031

